

PART NAME

NON-METALLIC ENCLOSURE (STYLE A)

PART No.

NBA-10148 & NBA-10168

**MATERIAL:**

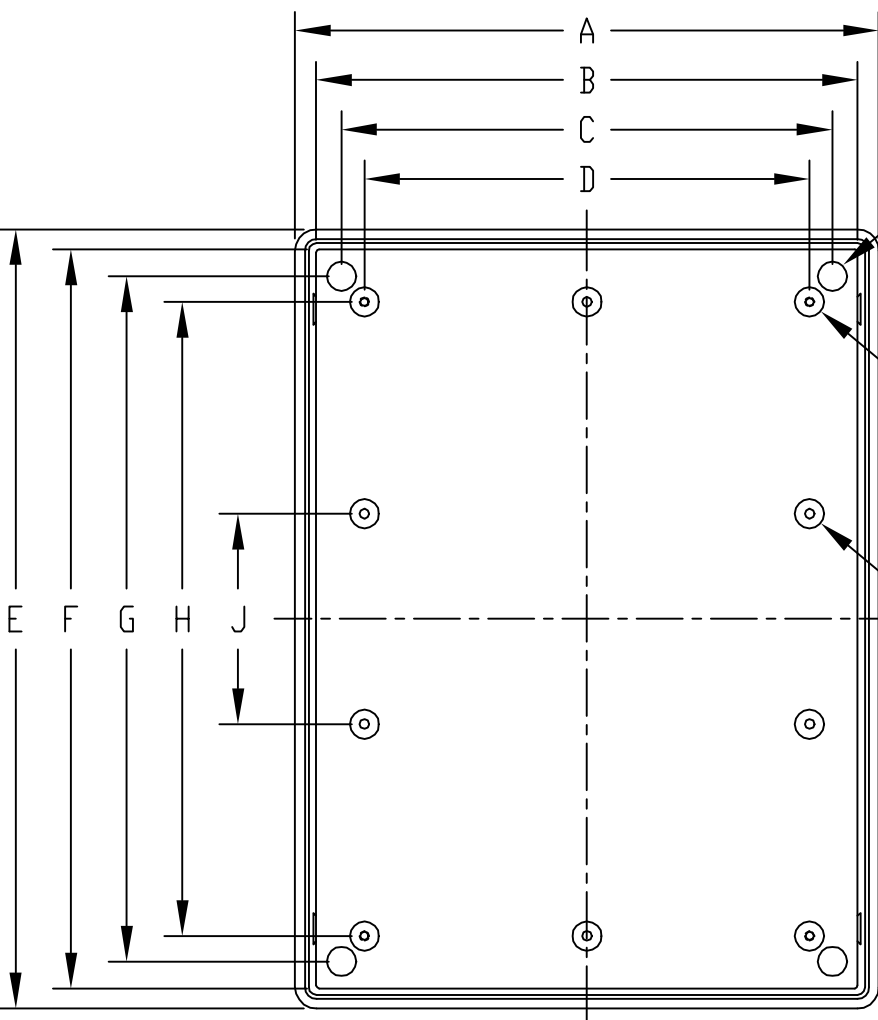
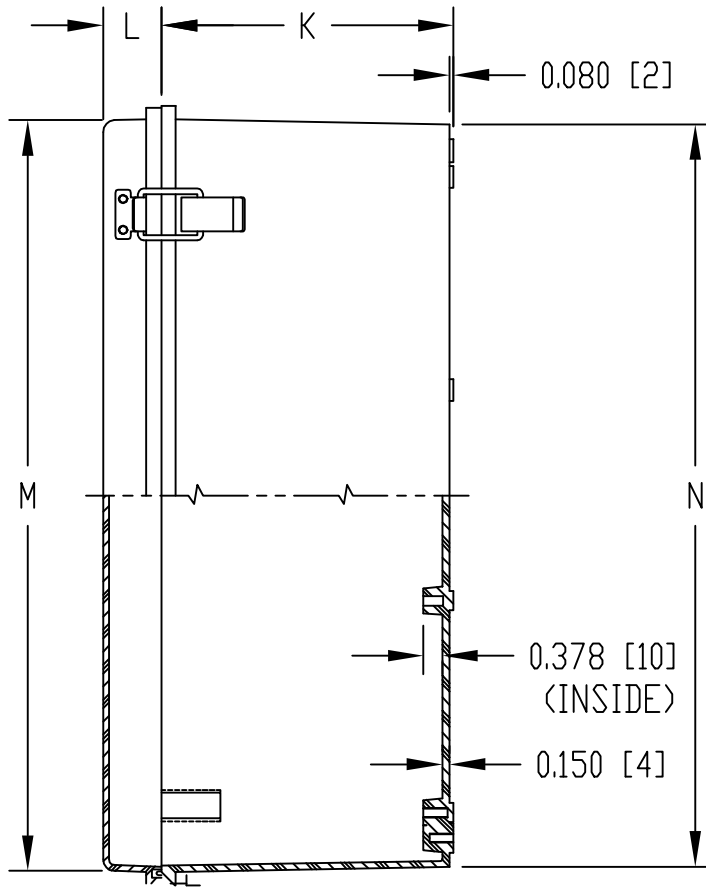
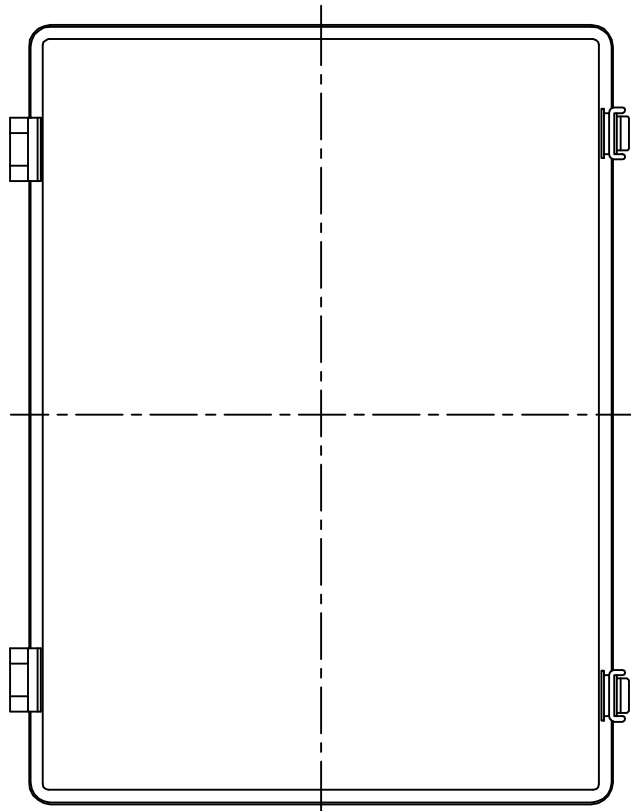
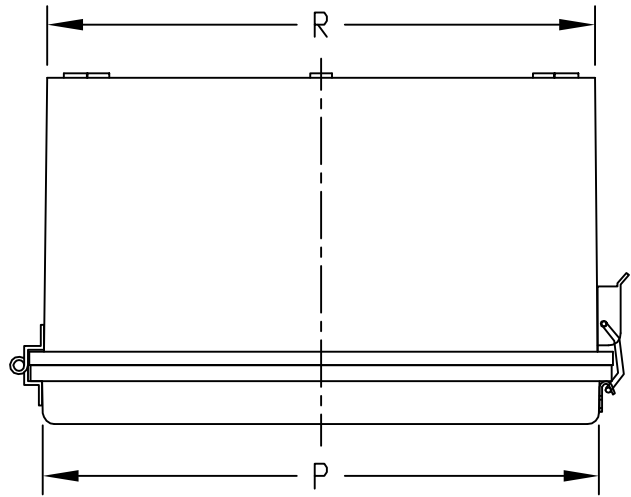
SOLID BODY & COVER — ABS/PC BLENDED PLASTIC  
UL94-5VB FLAMMABILITY RATING

CLEAR COVER — POLYCARBONATE PLASTIC  
UL94V-0 FLAMMABILITY RATING  
UV STABILIZED

LATCHES, HINGES &  
WALL MOUNTING BRACKETS — STAINLESS STEEL

**FINISH:**

BODY — LIGHT GRAY  
COVER — LIGHT GRAY OR CLEAR



VIEW LESS COVER

COVER INCLUDES GRAY POLY-URETHANE GASKET.

**NOTE:** UNIT COMES COMPLETE WITH (4) WALL MOUNTING BRKTS. & (4) M5 x 10mm LG. TRUSS HD. MACHINE SCREWS (NOT SHOWN)

INTERNAL HINGED PANEL MOUNTING BRACKETS, AIR & MOISTURE VENTS, STAINLESS STEEL LOCKING HASP AND GALVANIZED STEEL INTERNAL PANEL ARE NOT INCLUDED, BUT CAN BE PURCHASED SEPARATELY.

0.590 [15] DIA. BOSS WITH M5 x 0.8mm THREADED BRASS INSERT (4) PLACES (FAR SIDE)

0.590 [15] DIA. BOSS WITH M5 x 0.8mm THREADED BRASS INSERT (4) PLACES

0.590 [15] DIA. BOSS WITH 0.197 [5] DIA. HOLE x 0.395 [10] DEEP (6) PLACES  
BOSSSES ACCEPT M6 METRIC OR 0.250" STD. SHEET METAL SCREWS x 0.375 [9] LG. (NOT SUPPLIED)

**INDUSTRY STANDARDS:**

UL508 TYPE 1, 2, 4, 4X INDOOR, 12 & 13  
NEMA TYPE 1, 2, 4, 4X, 12 & 13  
IEC529-IP65

DIMENSIONS = INCHES [MILLIMETERS]

**NOTE:** ALL DIMENSIONS HAVE ±0.039 [±1] TOLERANCE UNLESS OTHERWISE SPECIFIED

PART NO.		DIMENSIONS															
SOLID COVER	CLEAR COVER	A	B	C	D	E	F	G	H	J	K	L	M	N	P	R	
NBA-10148	NBA-10168	11.792 [300]	10.938 [278]	9.923 [252]	8.993 [228]	15.742 [400]	14.930 [379]	13.838 [351]	12.810 [325]	4.251 [108]	5.895 [150]	1.185 [30]	15.167 [385]	15.000 [381]	11.241 [286]	11.064 [281]	